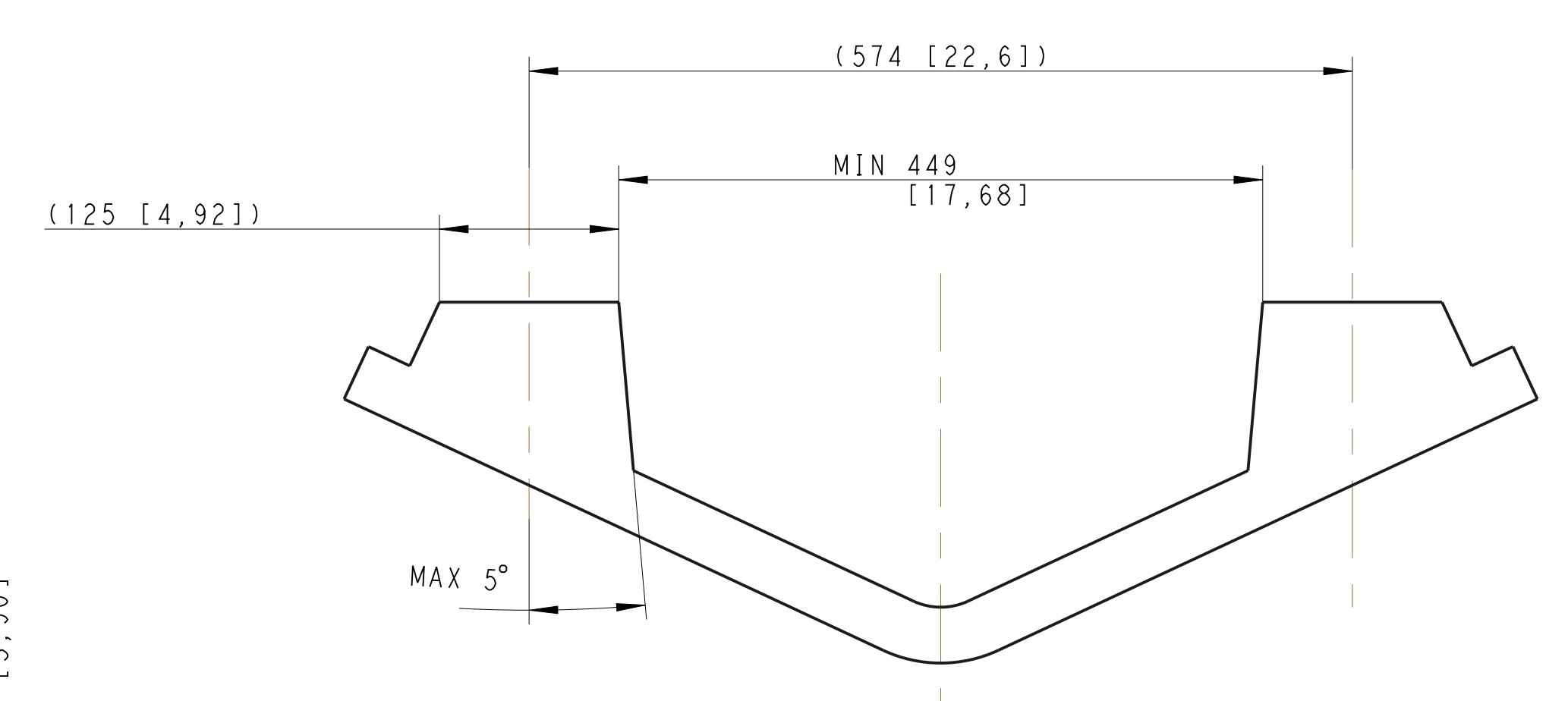
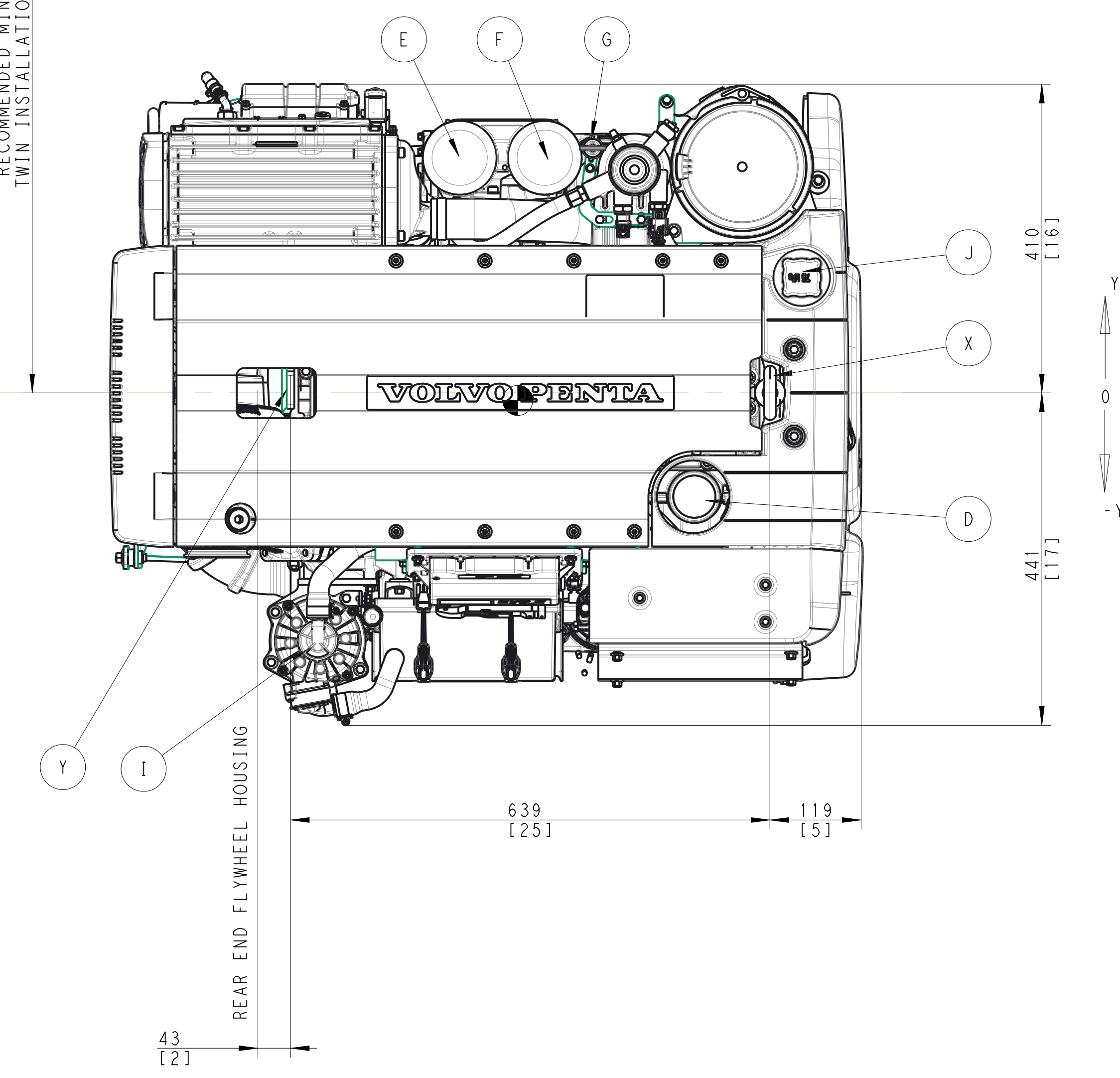
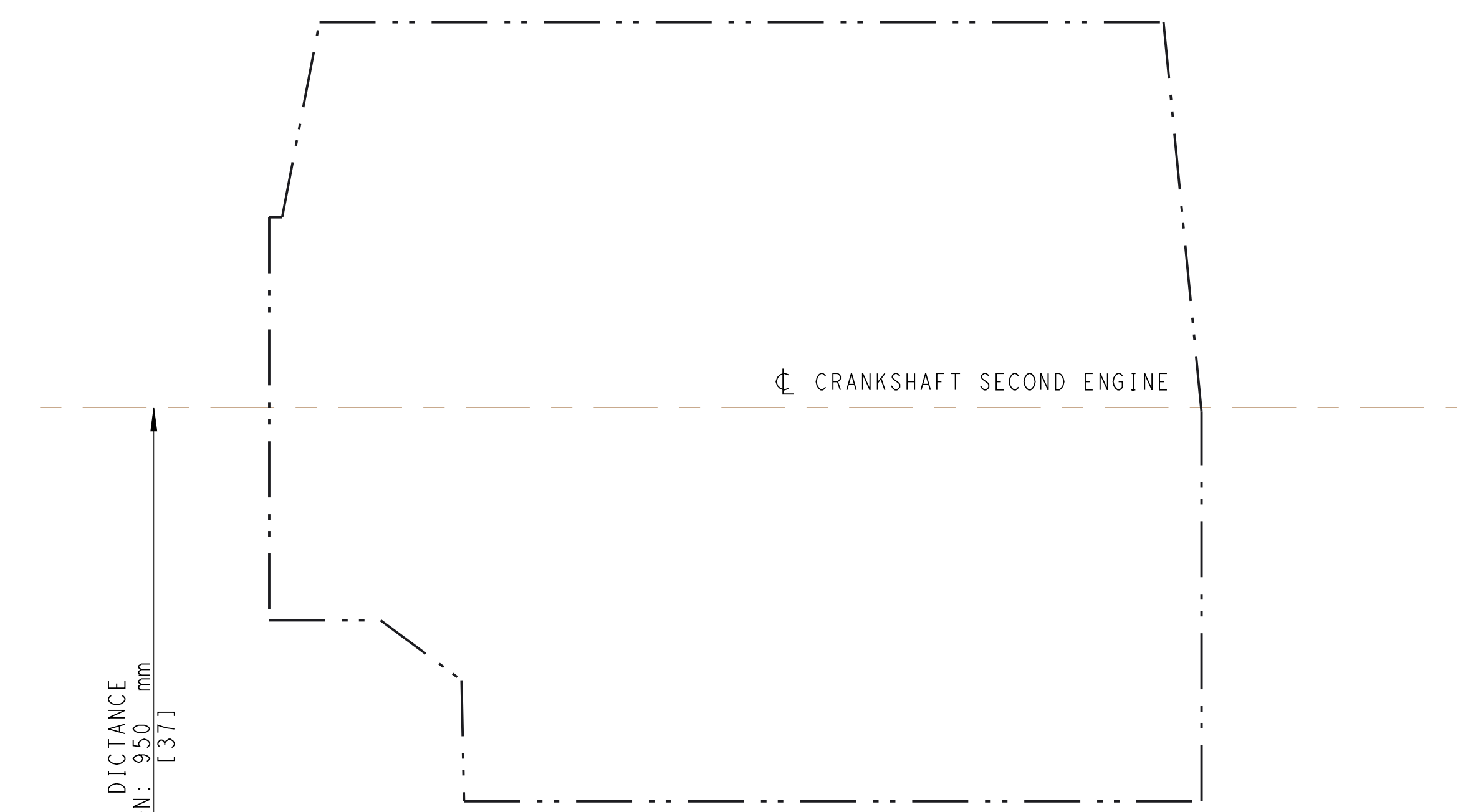
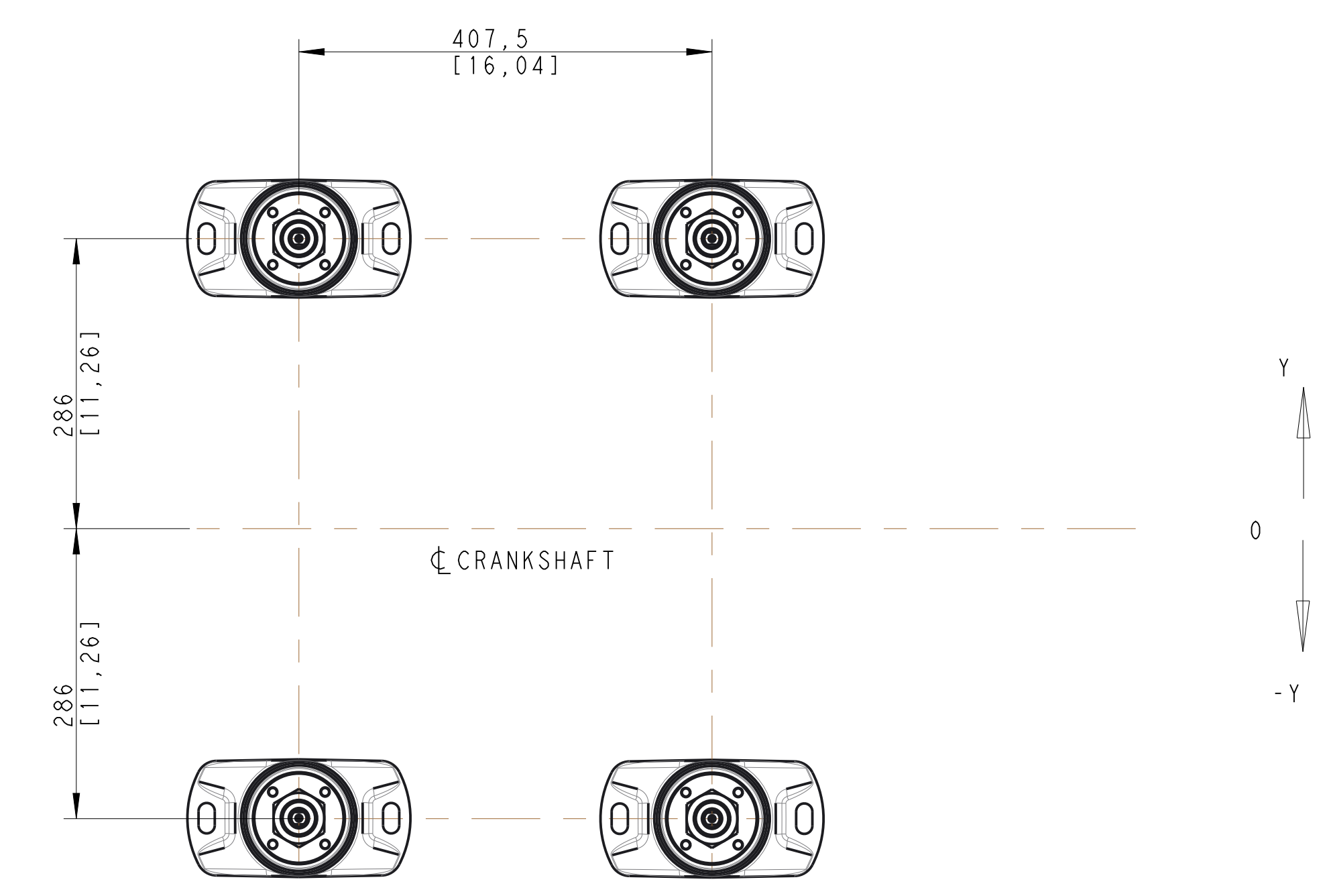
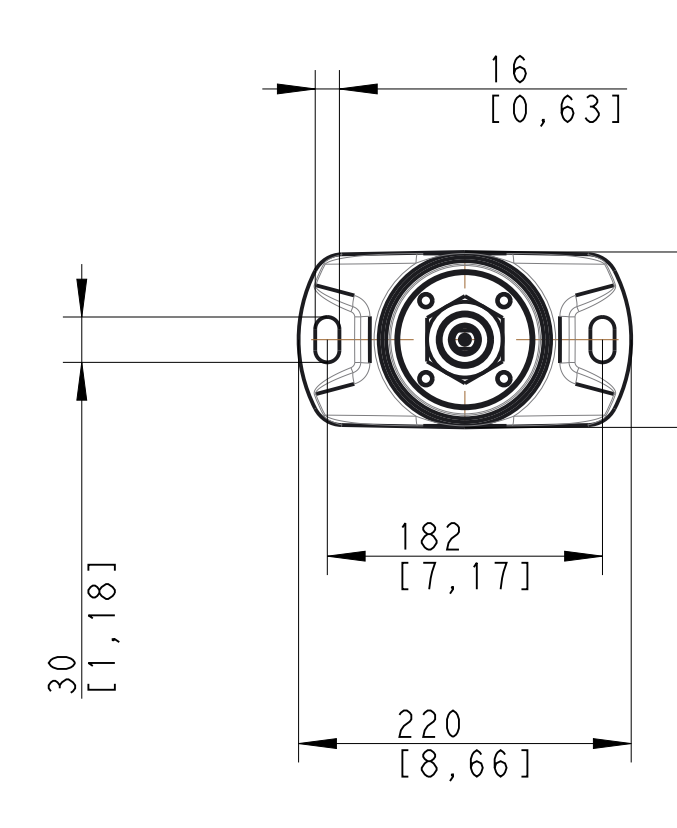
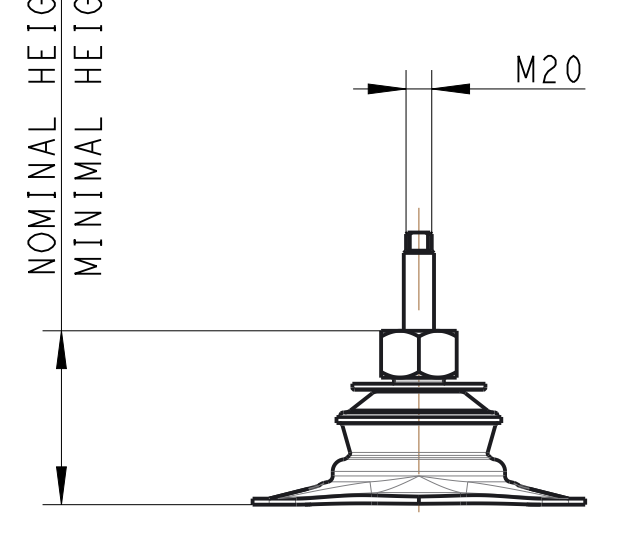


ENGINE FOUNDATION



NOMINAL HEIGHT 115 mm [4.53] ADJUSTABLE ±10 mm [0.39]
 MINIMAL HEIGHT AND MAX COMPRESSION: 99 mm [3.90]



A	FUEL CONNECTION INLET. 10mm I.D. HOSE
B	FUEL CONNECTION OUTLET. 10mm I.D. HOSE
C	FUEL FILTER
D	OIL FILLER ENGINE
E	OIL FILTER, MAIN
F	OIL FILTER, BYPASS
G	OIL DIPSTICK ENGINE PORT STANDARD
H	OUTLET FOR OIL BILGE PUMP. 13mm OR [1/2"] I.D. HOSE
I	CRANK CASE VENTILATION FILTER
J	FRESH WATER FILLER
K	FRESH WATER DRAIN POINT
L	CONNECTION HOT WATER INLET R [1/2"] (OPTION)
M	CONNECTION HOT WATER OUTLET R [1/2"] (OPTION)
N	SEA WATER INLET FOR Ø50mm OR [2"] I.D. HOSE
O	SEA WATER DRAIN POINT (2x)
P	SEA WATER PUMP
Q	ECU CONTROL UNIT
R	ENGINE STOP
S	FUSES
T	VOLVO PENTA FACTORY CONNECTION POINT
U	DATALINK, SENDER AND AUX (2x)
V	AIR FILTER
W	ELASTIC SUSPENSION (4x)
X	LIFTING EYE, FRONT, Ø40
Y	LIFTING EYE, REAR, Ø30
COG	CENTER OF GRAVITY

SCALE 1:5

The copying, distribution and utilization of this document as well as the completion of its contents in other media without the prior written consent of the manufacturer is prohibited. Offenders shall be held liable for the payment of damages. All rights reserved in the event of the grant of patent, utility model or industrial design registration.	SYMBOLS, DESIGNATIONS AND GENERAL DRAWING METHODS STD 101-0005	
	Document title ENGINE DIMENSIONS	
	Document No. 175_230_270_300_320	
	Document type DIMENSION DRAWING	
Document No. 23353384	Issue index 02	Sheet No. 1(1)

